



TP-2 is a Pt-100 sensor enclosed in polycarbonate and ABS IP-65 plastic enclosure, suitable for operation in high humidity conditions.

The unit was designed to be applied in high humidity installations such as greenhouses, agricultural applications and climate control systems.

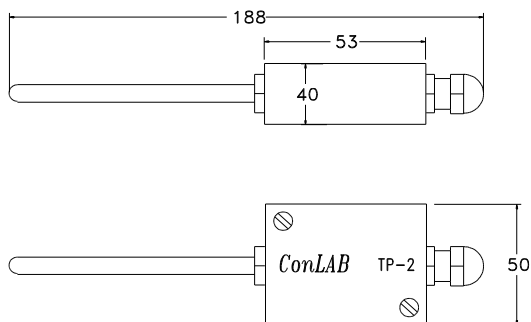
Internal three terminals serve for three-wire cable.

SPECIFICATIONS

TP-2

PROBE:	Pt-100
PROBE LENGTH:	100 mm
MATERIAL:	S.S 316
TEMPERATURE:	
Operation:	-30 to +85°C
Storage:	-35 to +85°C
ENCLOSURE:	Plastic Polycarbonate & ABS
DEGREE OF PROTECTION:	IP-65
MOUNTING:	Wall mounting
CABLE GLAND:	For 3 - 6 mm cable diameter
WEIGHT:	80 grams

Dimensions



1

ConLAB
Control Laboratories Ltd.

data subject to change without notice

20, Hamezuda st. Azor, P.O.Box 100. Israel 58190. Tel:+972-3-556-7688 Fax +972-3-556-9540 sales@conlab.co.il