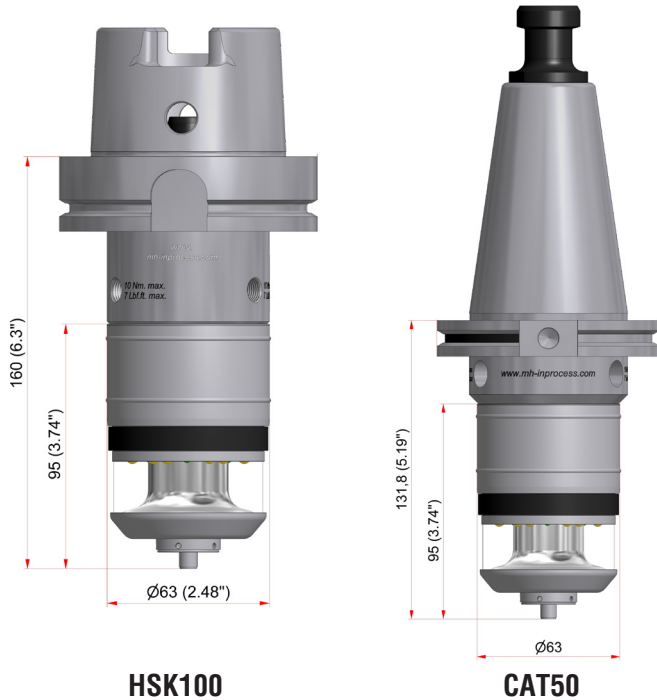


m&h IRP25.50

Dimensional Drawing

Reference Only

Detailed drawings available upon request



HSK100

CAT50

Specifications

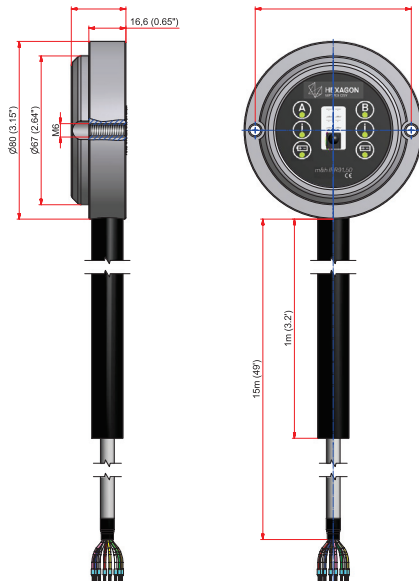
TECHNICAL DATA	m&h IRP25.50
Repeatability at Probing from one direction	2 Sigma $\leq 1 \mu\text{m}$ with 50 mm stylus and 254 mm/min probing feedrate
Recommended probing feedrates	Max. 2000 mm/min
Sensing Directions	$\pm X, \pm Y, -Z$
Maximum Stylus Overtravel	$X/Y \pm 12.5^\circ; Z -6 \text{ mm}$
Trigger Force with 50 mm Stylus	Adjustable: .06 - .31 lbs .56 - 2.8 lbs
Extensions $\varnothing 25$ (0.98")	30mm (1.18"), 50mm (1.97"), 100mm (3.94"), 200mm (7.87")
Power supply	1 x 9 V battery block, lithium: 1200 mAh, Alkaline: 550 mAh
Battery lifetime in continuous operation (Probing every 2 seconds)	Up to 1000 hours
Weight without Shank	Approx. 920 grams
Temperature Range	Operation: $50^\circ\text{F} - 122^\circ\text{F}$
Material	Stainless Steel
Signal transmission	Infrared HDR*
Protection class	IP68: EN60529
Activation	Mechanical - 25.50-PP-AZ Bi-Directional - 25.50-PP

m&h IRR91.50

Dimensional Drawing

Reference Only

Detailed drawings available upon request



Specifications

TECHNICAL DATA	m&h IRR91.50
Receiving angle	100°
Transmission angle	60°
Signal evaluation	HDR+, HDR bidirectional, HDR dual, temperature probe, HDR
Power supply	12 - 32 VDC, max. 100 mA
Weight	IRR91.50-R = 1550 grams (with cable and protection tube)
Material	Stainless Steel
Protection class	IP68: EN60529 IEC529/DIN40050
Temperature Range	$50^\circ\text{F} - 122^\circ\text{F}$
Mounting	With 2x Cap head screw M5 + Bracket
Connecting cable	15 m

