

NEW



# Leonardo System

The first electrospindle for ATC



Completely integrated  
with the machine tool



Adjustable speed  
up to 60,000RPM

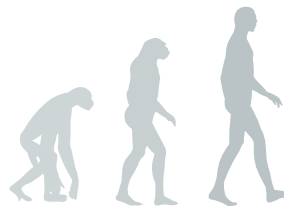


To be installed  
on each machine

20 Thompson Rd | East Windsor | CT 06088  
1.800.249.5662 | 860.623.4132 Fax  
[www.komaprecision.com](http://www.komaprecision.com) | [info@komaprecision.com](mailto:info@komaprecision.com)



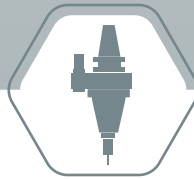
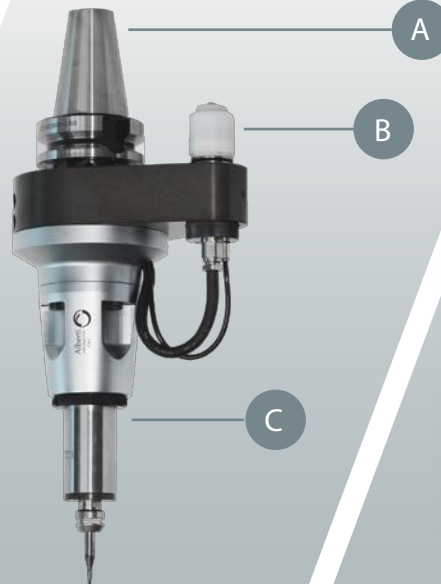
NEW



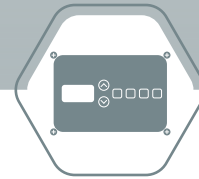
# Leonardo System The evolution of the species



Customized Stop Block  
for each machine  
with 10mt. cable



Main parts  
A) Different shanks available  
B) Indexing pin with protected electric contacts  
C) Axial electrospindle Leonardo head



Ispeed 5  
controller unit with  
adjustable speeds



350 Nm

Torque



up to  
60,000

RPM



up to  
6 mm

Collet



1:1

Ratio



4.8 Kg

Weight



1  $\mu$

Spindle accuracy

20 Thompson Rd | East Windsor | CT 06088  
1.800.249.5662 | 860.623.4132 Fax  
www.komaprecision.com | info@komaprecision.com

