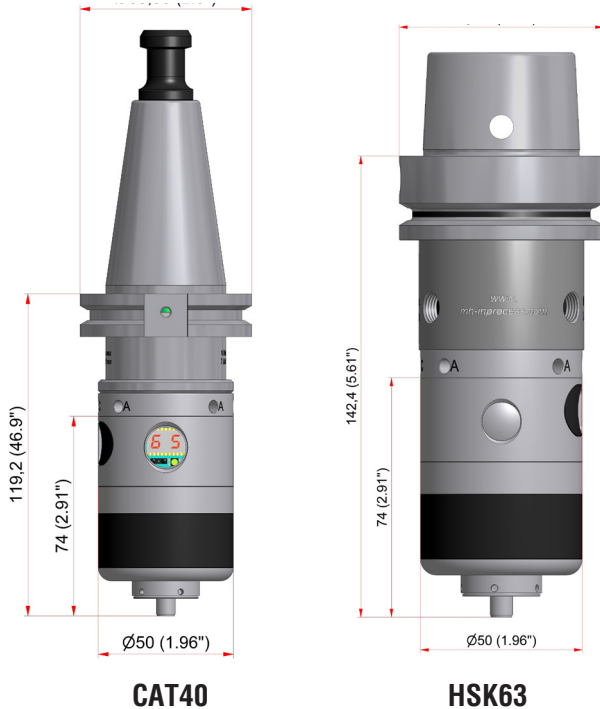


## m&h RWP38.41

### Dimensional Drawing

Reference Only

Detailed drawings available upon request



### Specifications

#### TECHNICAL DATA

#### m&h RWP38.41

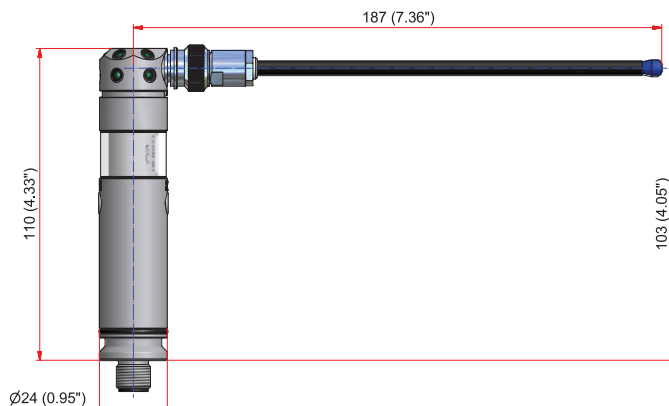
Repeatability at Probing from one direction	2 Sigma $\leq 1 \mu\text{m}$ with 50 mm stylus and 254 mm/min probing feedrate
Recommended probing feedrates	Max. 2000 mm/min
Sensing Directions	$\pm X, \pm Y, -Z$
Maximum Stylus Overtravel	X/Y $\pm 12.5^\circ$ , Z -6 mm
Trigger Force with 50 mm Stylus	Adjustable - .06 - .31 lbs .56 - 2.8 lbs
Extensions $\varnothing 25$ (0.98")	50mm (1.97"), 100mm (3.94"), 200mm (7.87")
Power supply	Battery 2x 3.6 V 1/2 AA
Battery lifetime in continuous operation (Probing every 2 seconds)	Up to 325h
Weight without Shank	Approx. 390 grams
Temperature Range	Operation: 50 °F – 122 °F
Material	Stainless Steel
Signal transmission	Radio-wave SCS
Protection class	IP68: EN60529
Activation	Bidirectional

## m&h RWR95.40

### Dimensional Drawing

Reference Only

Detailed drawings available upon request



### Specifications

#### TECHNICAL DATA

#### m&h RWR95.40

Number of channels	64
Channel spacing	25 KHz
Power supply	12 - 32 V, max. 100 mA
Weight	268 grams
Material	Stainless steel
Sealing, connected	IP68: EN60529 (10 m)
Temperature range	Operation: 50 °F – 122 °F
Installation	7 mounting configurations
Connecting cable	15 m