

**RT-147, 251, 320**

MULTI-FACE PLATE, MULTI-SPINDLE TABLE

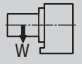
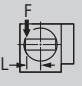
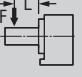
The RT-147, RT-251, and RT-320 have been designed for use on horizontal machining centers. The RT-147, RT-251, and RT-320 are available with dual or quad face plates and can be accessorized with a swivel box for cable management. These tables are typically equipped with rotary joints for use in high production machining environments.



RT-147

**Specifications ►**

Dimensions = mm

Table Model		RT-147	RT-251	RT-320	
Table diameter		mm	160 x (2,4)	200 x (2,4)	320 x (2,4)
Center height		mm	135 & 315	135 & 385	210 & 610
Center bore	Nose Diameter	mm	55H7	55H7	101H7
	Thru Diameter	mm	40	40	130
Table T-slot width			12H8	12H8	12H8
Guide block width			14h7	14h7	14h7
Servo motor (Fanuc)*			Alpha 4i	Alpha 4i	Alpha 22i
Maximum motor speed		rpm	5,000	5,000	3,000
Speed reduction ratio			1/90	1/90	1/90
Maximum table speed		rpm	55.5	55.5	33.3
Inertia converted into motor shaft		$\times 10^{-3}\text{kg}\cdot\text{m}^2$	.25	.25	3.04
Clamp system			Pneumatic	Hydraulic**	
Clamp torque @72psi		Nm (ft. lbs.)	156 (115)	-	-
Clamp torque @500psi		Nm (ft. lbs.)	-	210 (154)	2,450 (1,806)
Indexing accuracy		arc sec.	$\pm 22.5$		
Repeatability		arc sec.	$\pm 4$		
Net Weight		kg (lbs.)	100 (220) quad	135 (297) quad	450 (990) quad
Allowable wheel torque		Nm (ft. lbs.)	147 (108)	264 (194)	931(686)
Allowable work inertia		$\text{kg}\cdot\text{m}^2$	.48	.48	5.12
Allowable work weight		kg (lbs)	75/face plate (165/face plate)	75/face plate (165/face plate)	100/face plate (220/face plate)
Allowable load when table clamped		Nm (ft. lbs.)	156 (115)	264 (194)	2,450 (1,806)
		Nm (ft. lbs.)	392 (289)	392 (289)	3,626 (2,672)

\* Other motors & RPM available

\*\* Booster optional

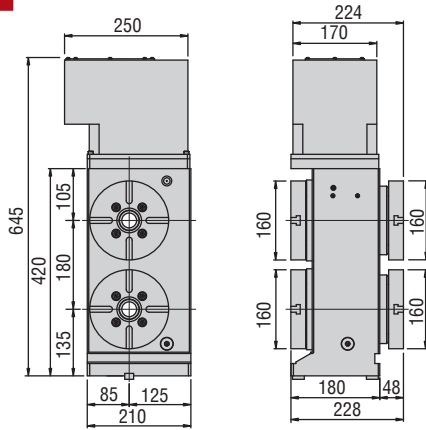
Specifications subject to change without notice

# NC Rotary Tables ▶ Multi-Face Plate, Multi-Spindle Models

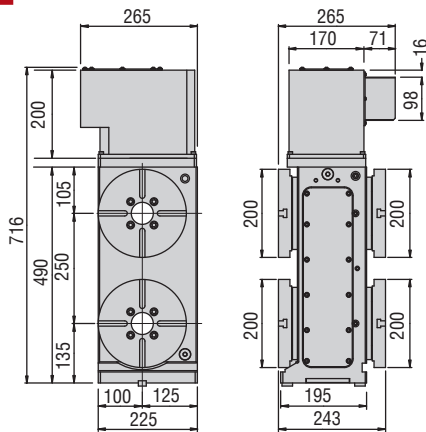
## Dimensions ▶

Drawings not to scale • Dimensions = mm

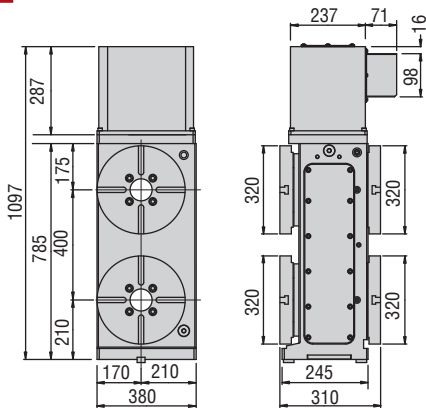
### RT-147



### RT-251



### RT-320



The dimensions above are for tables with a FANUC servo motor. Other motors available (dimensions may increase).

### • RT-251

The RT-251 shown below is a twin spindle, quad face plate rotary table typically pallet mounted on a horizontal machining center. This table is equipped with an optional air/hydraulic booster and a swivel box for cable management.



### Options & Accessories

TPC NC Controller	p.68
Chucks	p.79
Tailstock	p.81
Support Spindle	p.81
Face Plate	p.83
Encoder / Scale	p.84
Pull Stud Device	p.85
Rotary Joint	p.85
PVC or Steel Cables	p.86

## Clamping Block and Bolt ▶

Dimensions = mm

	Type	Q'ty	T-Slot Width	A	B	C	D	E	F	G	H	I	J	K	L	M
RT-147	II	4	18	25	15	52	12	15	25	40	21	11	85	40	28	16
RT-251	II	4	18	25	15	52	12	15	25	40	21	11	85	40	28	16
RT-320	II	4	18	30	15	57	14	15	28	45	21	11	90	45	28	16

Note: When using a machine with a T-slot pitch other than the above, use suitable clamping blocks and bolts that are available on the market, or order custom-made ones from KOMA (opt.)

### Type II

