



Origo™ Mig 405

Origo™ Feed 30-2, 30-4

Reliable and easy-to-use welding package

The OrigoMig 405 welding package is ideal for welding applications within general steel fabrication, the vehicle industry and household and furniture manufacturers.

The package consists of the OrigoMig 405 power source, OrigoFeed 30-2 or 30-4 wire feed units, a connection set (1.7 m, 5.0 m or 10.0 m) and the PSF welding torch.

Reliable and easy to use

OrigoMig 405 and 405w are step-controlled power sources for MIG/MAG welding. 40 voltage steps provides accurate setting for even the most critical applications.

Both OrigoMig 405 and OrigoFeed are designed with sturdy galvanised metal casing. Electronically controlled feeding gives accurate and stable arc. The 4-wheel feed mechanism has grooves in the feed roller and idle pressure roller with ball bearing, which provides a positive and stable feeding combined with low wear on the wire. The 2-wheel feeder mechanism is a cost efficient solution for wire dimension up to 1,2 mm.

The feeders are available with Ø30 mm feed rollers for wires up to Ø1.2 mm (30-2) and Ø1,6 mm (30-4).

Easy settings

Wire feed speed, 2/4 stroke, creep start, spot welding, inching, gas purge and burnback time setting are made on the front panel of the feeder, giving a good overview of the settings. Voltage setting and inductance adjustments are made on the power source.

Available accessories

The easy to install Plastic bobbin option can protect the wire spool from dirt and dust.

Extra versatility is provided by the three wire feed mounting options; counterbalance and mast, wheel kit or a suspension bracket.

As an option the OrigoMig 405 can be equipped with V/A digital meter and transformer for CO₂ heater.

Applications

- General steel fabrication
- Vehicle industry
- Household and furniture



With safety in mind

The OrigoFeed is designed to meet the most rigid safety standard IEC/EN 60974-5 with low voltage (42 V/AC) operations complete with an overload device ensuring the best possible protection.

Service and support

ESAB has a large network of distributors and authorised service workshops. Should any problem arise with your ESAB OrigoMig, you can with confidence turn to your local dealer or authorised workshop, which are available at www.esab.com.

- **40 voltage steps**, optimum settings for each application.
- **2/4 stroke**, simplifies welding.
- **Adjustable burnback timer** gives correct stick-out.
- **Creep start**, (30-4) gradual feed of wire for ultimate starts.
- **Spot welding** (30-4) for easy operation with pre-setting of the timer and equal lengths of the spots.
- **Gas Purge and Inching** (30-4) no wastage wire or gas when initially setting up the equipment for welding or changing the wire spool.
- **Two inductance outlets**- easy to optimise settings for different applications.
- **IP 23** - fit for safe out of doors applications.
- **Easy-to-use control panel** for quick set up.

Technical data

	OrigoMig 405	OrigoMig 405
Mains voltage, V, Hz	400/415, 3~ 50	230/400/415/500, 3~ 50 230/400/460, 3~ 60
Permitted load at		
50% duty cycle, A/V	400 / 34	400 / 34
60% duty cycle, A/V	365 / 32	365 / 32
100% duty cycle, A/V	280 / 28	280 / 28
Setting range (DC), A/V	50 / 16,5 - 400 / 34	50 / 16,5 - 400 / 34
Open circuit voltage, V	17-45	17-45
Open circuit power, W	360	360
Power factor at maximum current	0,98	0,98
Efficiency at maximum current, %	71	71
Control voltage, V, Hz	42, 50/60	42, 50/60
Dimensions l x w x h, mm	812 x 552 x 925	812 x 552 x 925
Weight, kg	142	143
Operating temperature, °C	-10 to +40	-10 to +40
Enclosure class	IP 23	IP 23
Application classification	S	S

Ordering information

Put together your package:

Power sources

OrigoMig 405 (400-415V 50Hz)	0349 306 517
OrigoMig 405 (230/400-415/500V 50Hz; 230/440-460V 60Hz)	0349 306 594
OrigoMig 405w (400-415V 50Hz)	0349 306 563
OrigoMig 405w (230/400-415/500V 50Hz; 230/440-460V 60Hz)	0349 306 595

Wire feed units

OrigoFeed 30-2, Open	0459 495 782
OrigoFeed 30-4, Open	0459 495 882
OrigoFeed 30-4w, Open	0459 495 892

Connection cables

1.7 m, 50 mm ²	0459 532 880
5.0 m, 50 mm ²	0459 532 881
10.0 m, 50 mm ²	0459 532 882
5.0 m 50 mm ² water-cooled	0459 532 891
10.0 m 50 mm ² water-cooled	0459 532 892

Torches

PSF 405 3 m	0458 401 882
PSF 405 4.5 m	0458 401 883
PSF 410W 3 m	0458 400 882
PSF 410W 4.5 m	0458 400 883

Options

OrigoMig

Digital instrument	0349 302 451
Transformer for CO ₂ heater	0349 302 250
Stabilizer	0349 303 474

OrigoFeed

Water connection kit 1.7 m*	0459 564 880
Bobbin cover, plastic	0458 674 880
Wheel kit	0458 707 880
Strain relief for welding torch	0457 341 881
Strain relief for connection cables	0459 234 880
Quick connector MarathonPac™	F102 440 880
Lifting eye	0458 706 880
Adapter for 5 kg' s spool	0455 410 001
Counter balance device	0458 705 880
Turning piece	0458 703 880

* Used only for upgrading of wire feed units 0459 495 782/882 to "w" versions.

Panel functions

	30-2	30-4
2/4 stroke	X	X
Burnback time	X	X
Creep start		X
Spot welding		X
Inching		X
Gas Purge		X



ESAB AB

Herkulesgatan 72, Box 8004
SE-402 77 GÖTEBORG SWEDEN
Phone: +46 31 50 90 00 Fax +46 31 22 04 49
E-mail: info@esab.se
www.esab.com

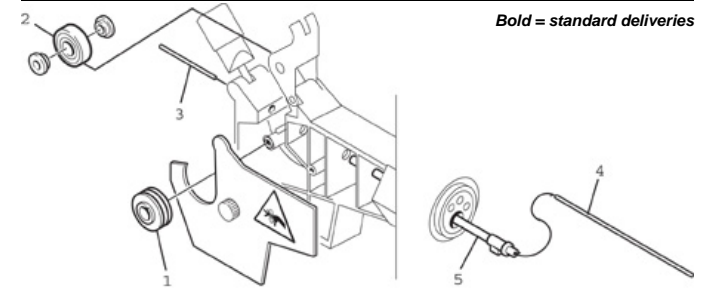
Technical data

	OrigoFeed 30-2	OrigoFeed 30-4
Power supply: (V ac, Hz)	42, 50/60	42, 50/60
Wire spool capacity: (kg)	18	18
Max. spool diameter: (mm)	300	300
Setting data		
Wire feed speed : (m/min)	1.5-22.0	1.5-22.0
Burnback time : (s)	0-0.7	0-0.7
Spot welding time : (s)	-	0.2 - 5.0
Dimension (l x w x h): (mm)	569 x 259 x 355	569 x 259 x 355
Incl bobbin cover:	687 x 271x 417	687 x 271x 417
Weight: (kg)	12.6	13.2
Wire dimensions: (mm)		
steel	0.6-1.2	0.6-1.6
stainless steel	0.6-1.2	0.6-1.2
aluminium	1.0-1.2	1.0-1.6
cored wire	0.8-1.2	0.8-1.6

Wear parts OrigoFeed 30-2

Wire Ø mm	Wire type	1 Feed roller	2 Pressure roller	3 Inlet nozzle	4 Insert tube	5 Outlet nozzle	Groove type
0.6 / 0.8	Fe, Ss, C	367556-001	455907-001	466074-001	455889-001	455886-001	V
0.8 / 1.0	Fe, Ss, C	367556-002	455907-001	466074-001	455889-001	455886-001	V
1.0 / 1.2	Fe, Ss, C	367556-003	455907-001	466074-001	455889-001	455886-001	V
1.0 / 1.2	Al	367556-004	455907-001	466074-001	455894-001	455885-001	U
	C=cored wire						

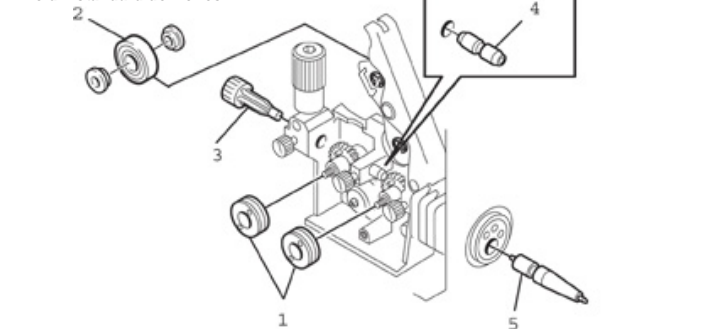
Bold = standard deliveries



Wear parts OrigoFeed 30-4

Wire Ø mm	Wire type	1 Feed roller	2 Pressure roller	3 Inlet nozzle	4 Intermediate nozzle	5 Outlet nozzle	Groove type
0.6 / 0.8	Fe, Ss, C	369557-001	455907-001	455049-001	455072-002	469837-880	V
0.8 / 1.0	Fe, Ss, C	369557-002	455907-001	455049-001	455072-002	469837-880	V
1.0 / 1.2	Fe, Ss, C	369557-003	455907-001	455049-001	455072-002	469837-880	V
1.4 / 1.6	Fe, C	369557-013	455907-001	455049-001	455072-002	469837-880	V
0.8 / 0.9	Al	369557-011	455907-001	455049-001	456615-001	469837-881	U
1.0 / 1.2	Al	369557-006	455907-001	455049-001	456615-001	469837-881	U
	C=cored wire						

Bold = standard deliveries



ESAB reserves the right to alter specifications without prior notice
ESAB is approved according to ISO 9001:2000