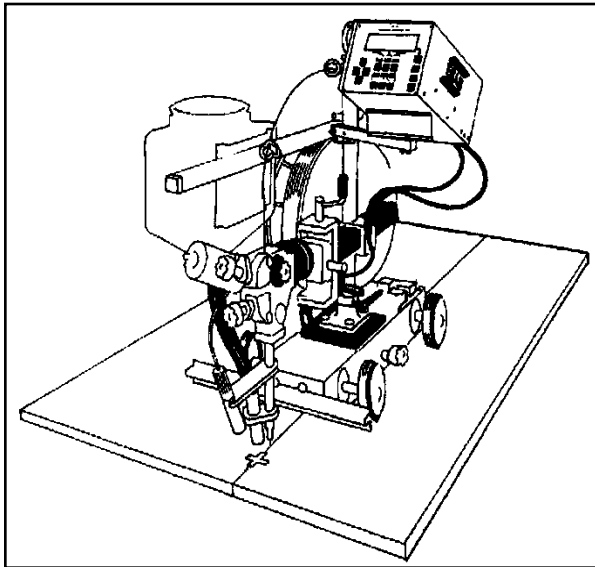


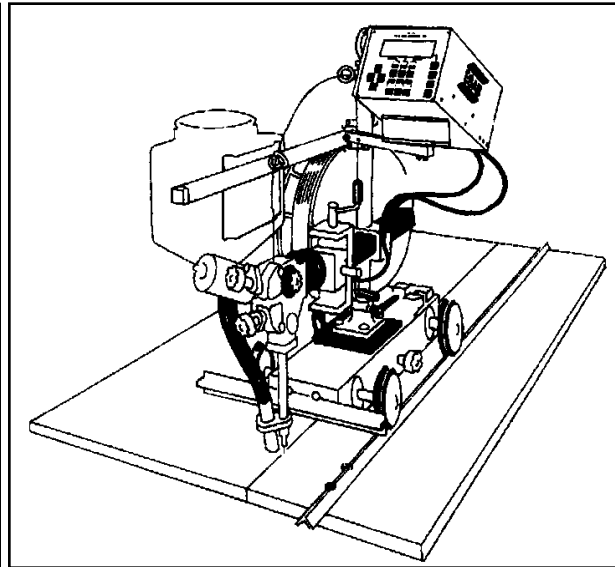
ESAB Submerged Arc Welding tractors

But welds, different types of guiding

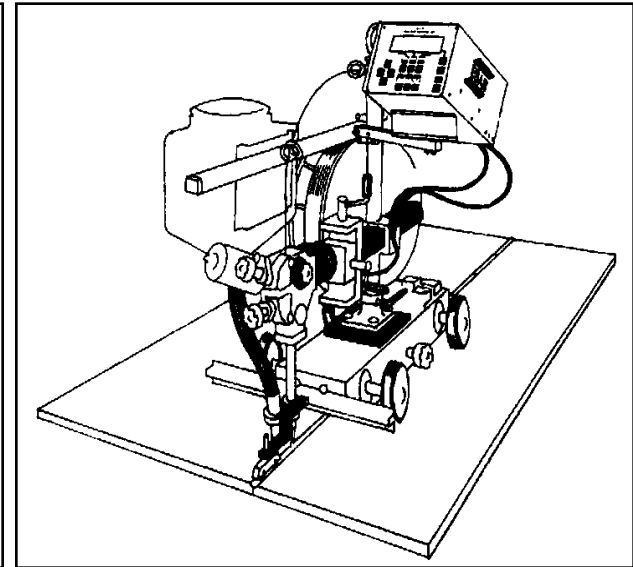
BEYOND
100



Guided by Pilot lamp



**Guided by rail
(attached with magnets)**



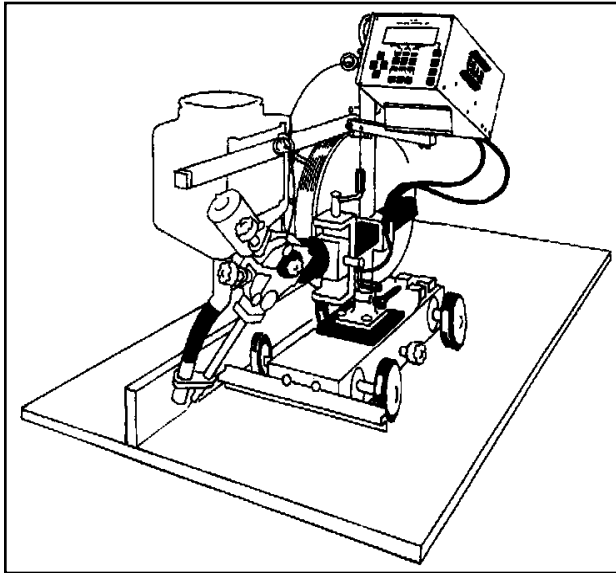
Guided by wheel bogie

ESAB Submerged Arc Welding tractors

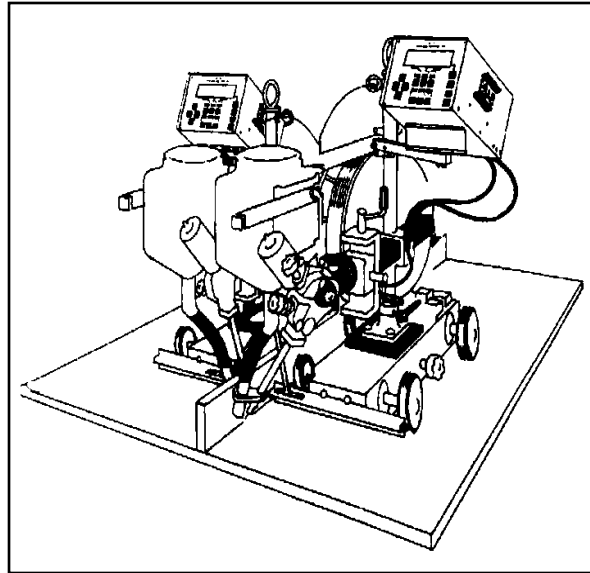
Fillet welds, different types of guiding

BEYOND
100

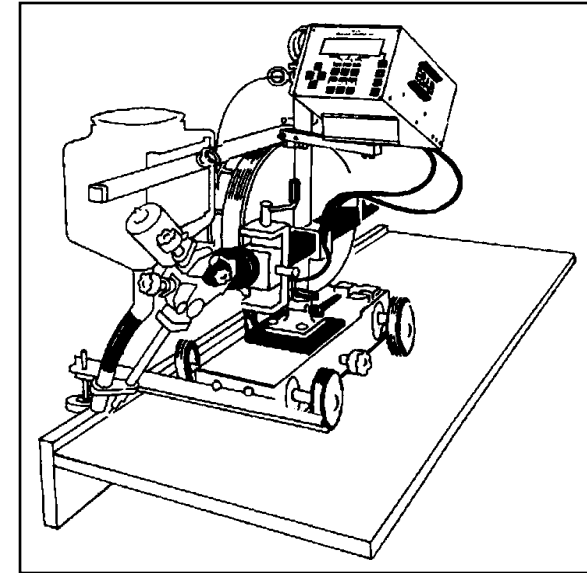
Simultaneous welding with 2 tractors



Guided by support-rollers
for fillet welds



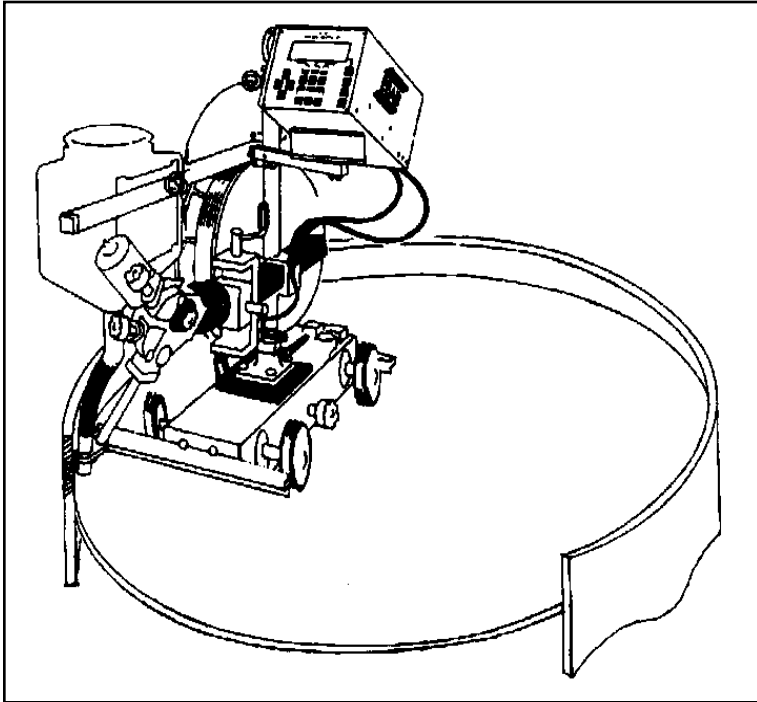
Guided by support-rollers
for fillet welds



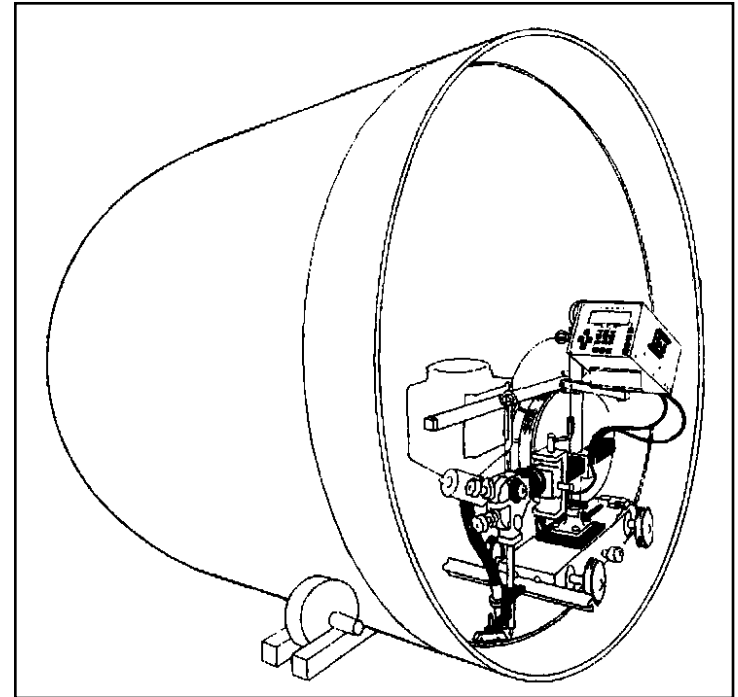
Guided by Idling-rollers
for fillet welds

ESAB Submerged Arc Welding tractors Special objects...

**BEYOND
100**



ESAB A2 Multitrac Radius from 1500mm



**Inside from 1150 mm
Manhole from 400 mm**