



PLASMOTEC

Delivering the Complete Package

PLASTIC MOULDING TECHNOLOGY



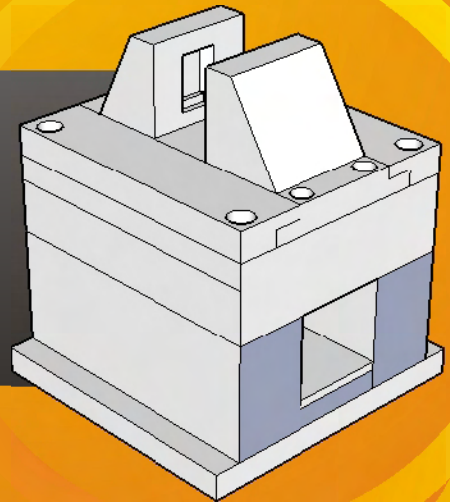


DESIGN

- Concept
- Solid Modelling
- Prototypes
- Fill Simulation

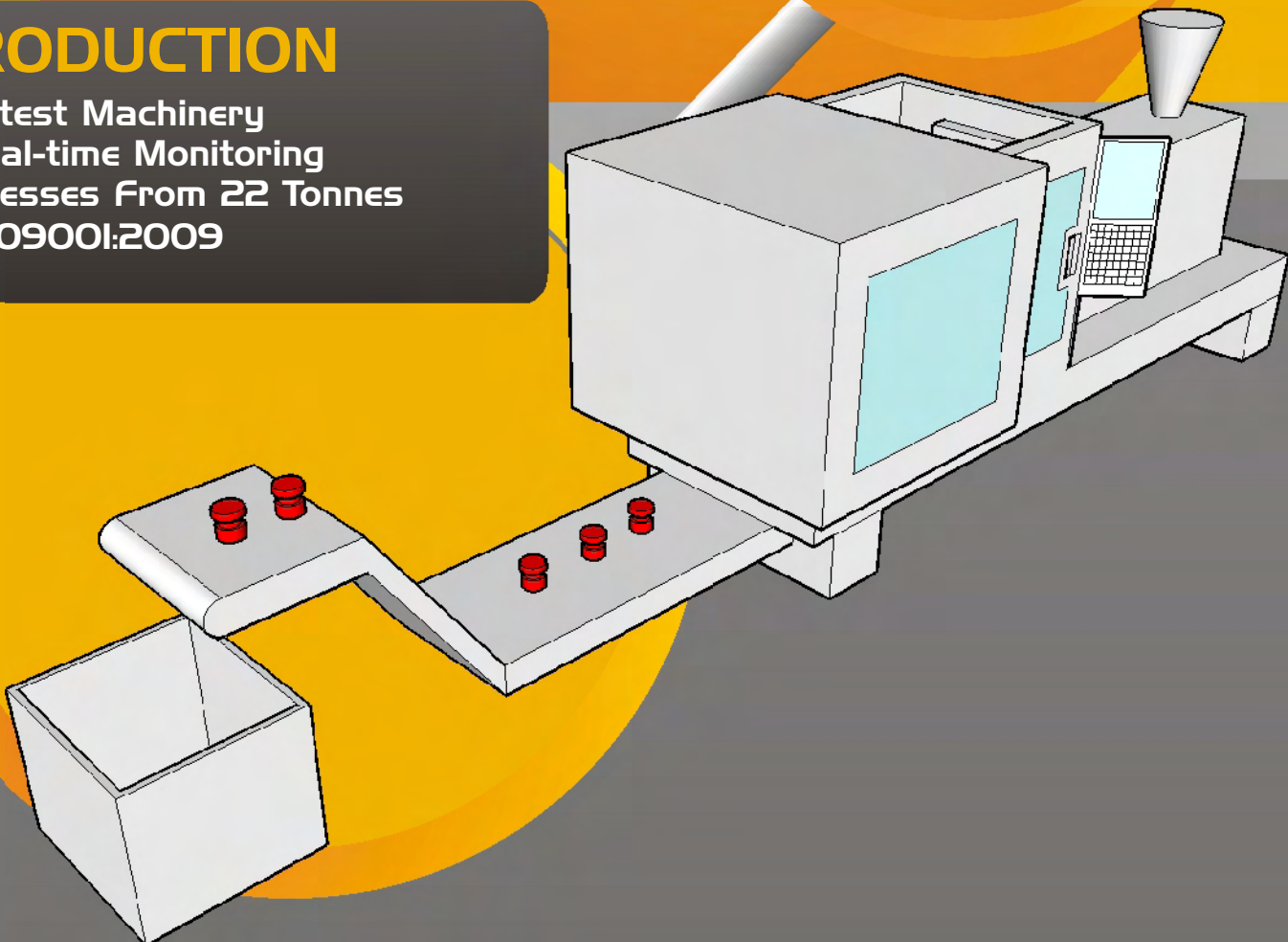
TOOLMAKING

- 'In-house' Toolroom
- CAD/CAM
- Standard Tool Bases
- Low Cost Tooling Options



PRODUCTION

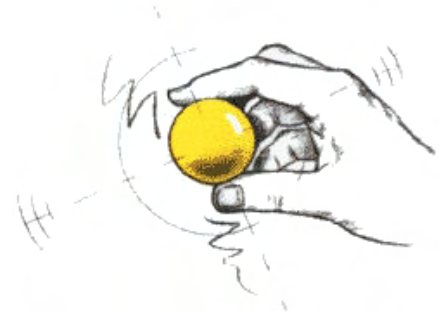
- Latest Machinery
- Real-time Monitoring
- Presses From 22 Tonnes
- ISO9001:2009



Delivering the Complete Package

ABOUT PLASMOTEC

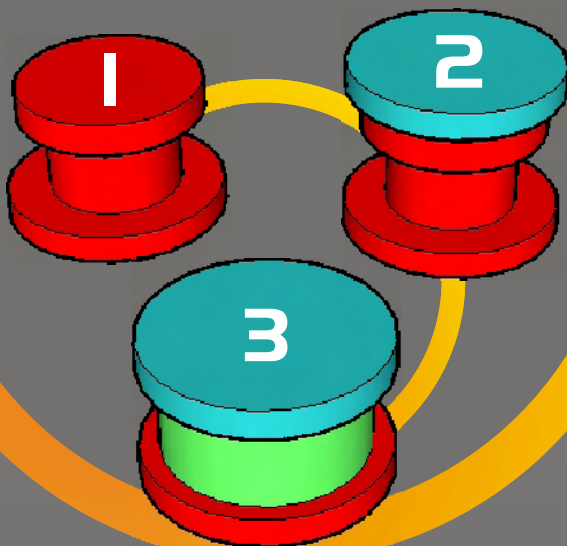
- Established in 1989
- Private Company
- 24 Hour Production
- Custom Mouldings
- Standard Parts
- Total Project Management



PLASMOTEC

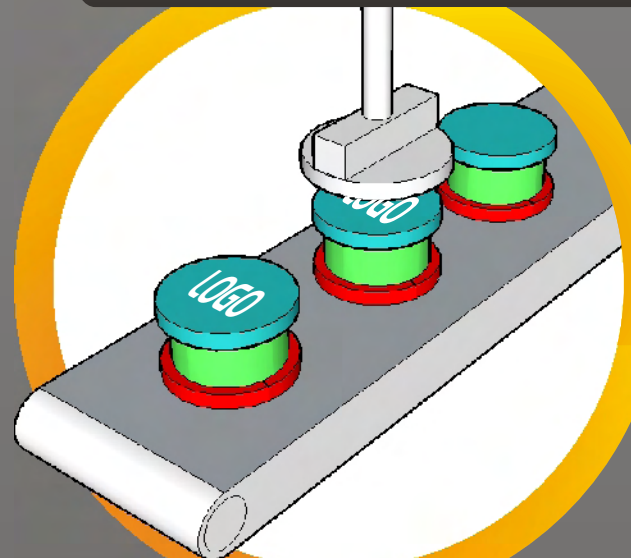
ASSEMBLY

- Bespoke Fully Automatic Assembly
- Added Value Operations



PRINT/PACKING

- Pad Printing
 - Automatic
 - Manual
- Custom Packing





PLASMOTEC

Furniture & Storage

Plasmotec produces both custom and standard parts for the Furniture & Storage industries:

Custom Products Include:

- Seat Arms
- Special Ribbed Feet Inserts
- Locker Card Holders
- Chair Brackets
- Trim
- Custom End Caps & Bungs

Standard Products Include:

- Ribbed Inserts

Details of Standard Parts are available on our website:

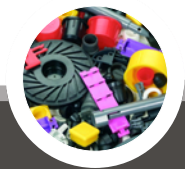
www.plasmotec.co.uk

WARD ROAD, LINCOLN PARK
BUCKINGHAM ROAD INDUSTRIAL ESTATE
BRACKLEY, NORTHANTS
NN13 7LE

TEL: 01280 701335
FAX: 01280 701341
EMAIL: sales@plasmotec.co.uk
www.plasmotec.co.uk

SERVICES LIST

- Design
- Toolmaking
- Moulding
- Assembly
- Print
- Packaging



PLASMOTEC LIMITED

WARD ROAD, LINCOLN PARK
BUCKINGHAM ROAD INDUSTRIAL ESTATE
BRACKLEY, NORTHANTS
NN13 7LE

TEL: 01280 701335
FAX: 01280 701341
EMAIL: sales@plasmotec.co.uk

www.plasmotec.co.uk